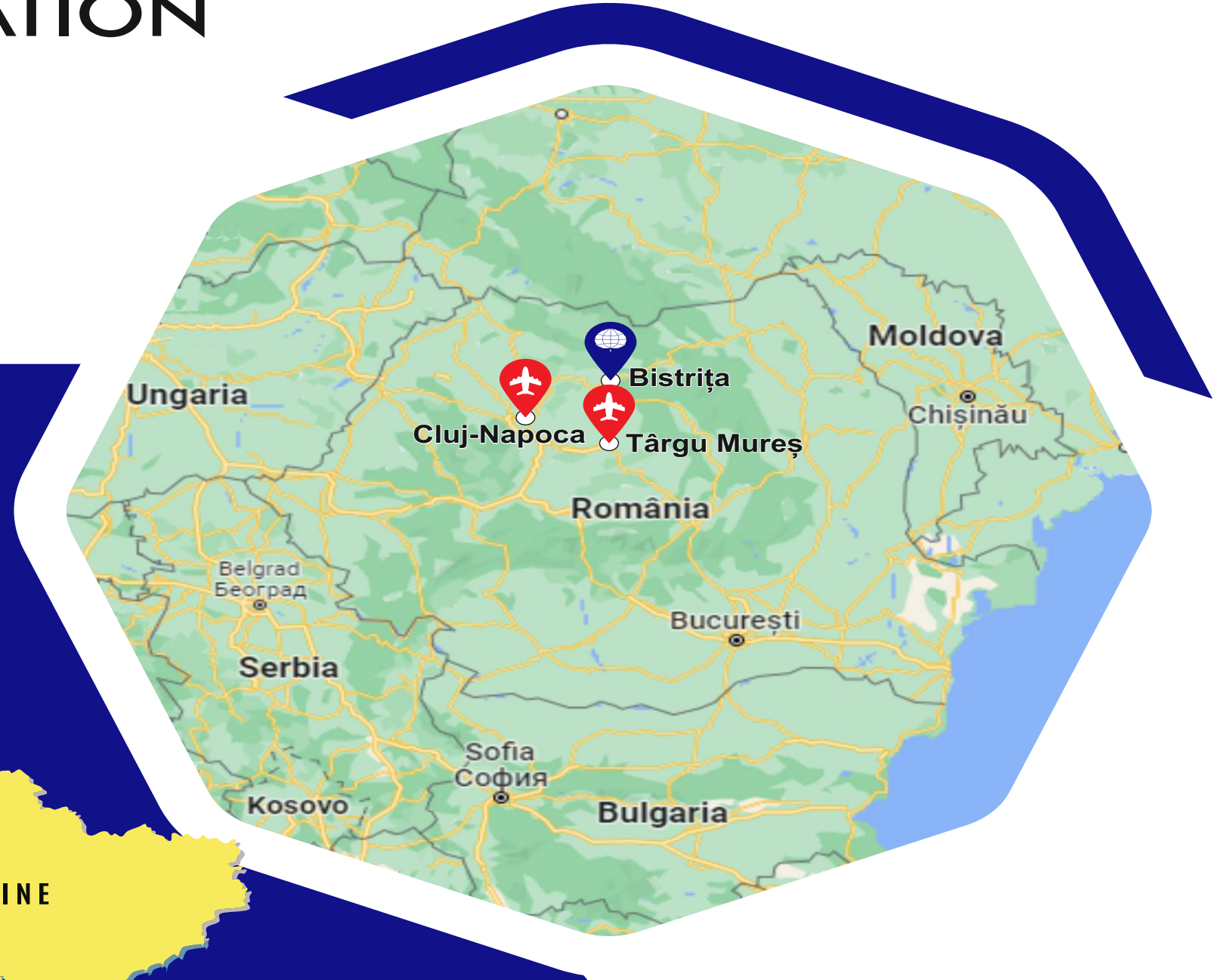




Comelf

OUR LOCATION

- ▶ Our headquarters are located in Bistrița, a town in northern Romania.
- ▶ The nearest airports are: Cluj-Napoca – 120 km
Targu Mures – 105 km



ABOUT US



- COMELF S.A. Bistrita was established in 1991, evolving from the former "Utilaj Tehnologic" company, which had been founded in 1971. It was transformed into a joint stock company during this transition.
- Since 1995, COMELF has been listed on the Bucharest Stock Exchange. That same year, we received ISO 9001 certification for our Quality Assurance System, issued by TUV Management Service Germany.
- Our operations are structured across three specialized factories, each functioning as an independent income-generating division:

F.P.I. Factory - Stainless Steel Products

F.U.E.T. Factory - Equipment for Earth Moving Machinery

F.C.T. Factory - Components and Earth Moving Machinery

MANAGEMENT

General Manager

Deputy General Manager

Deputy General Manager technical & production

Quality Manager

Financial Manager

Purchasing Manager

F.P.I. Factory Manager

F.U.E.T. Factory Manager

F.C.T. Factory Manager

Dipl. eng. **CENUSA GHEORGHE**

Dipl. eng. **POP MIRCEA**

Dipl. eng. **OPREA PAUL**

Dipl. eng. **POP MIRCEA**

Dipl. ec. **TATAR DANA**

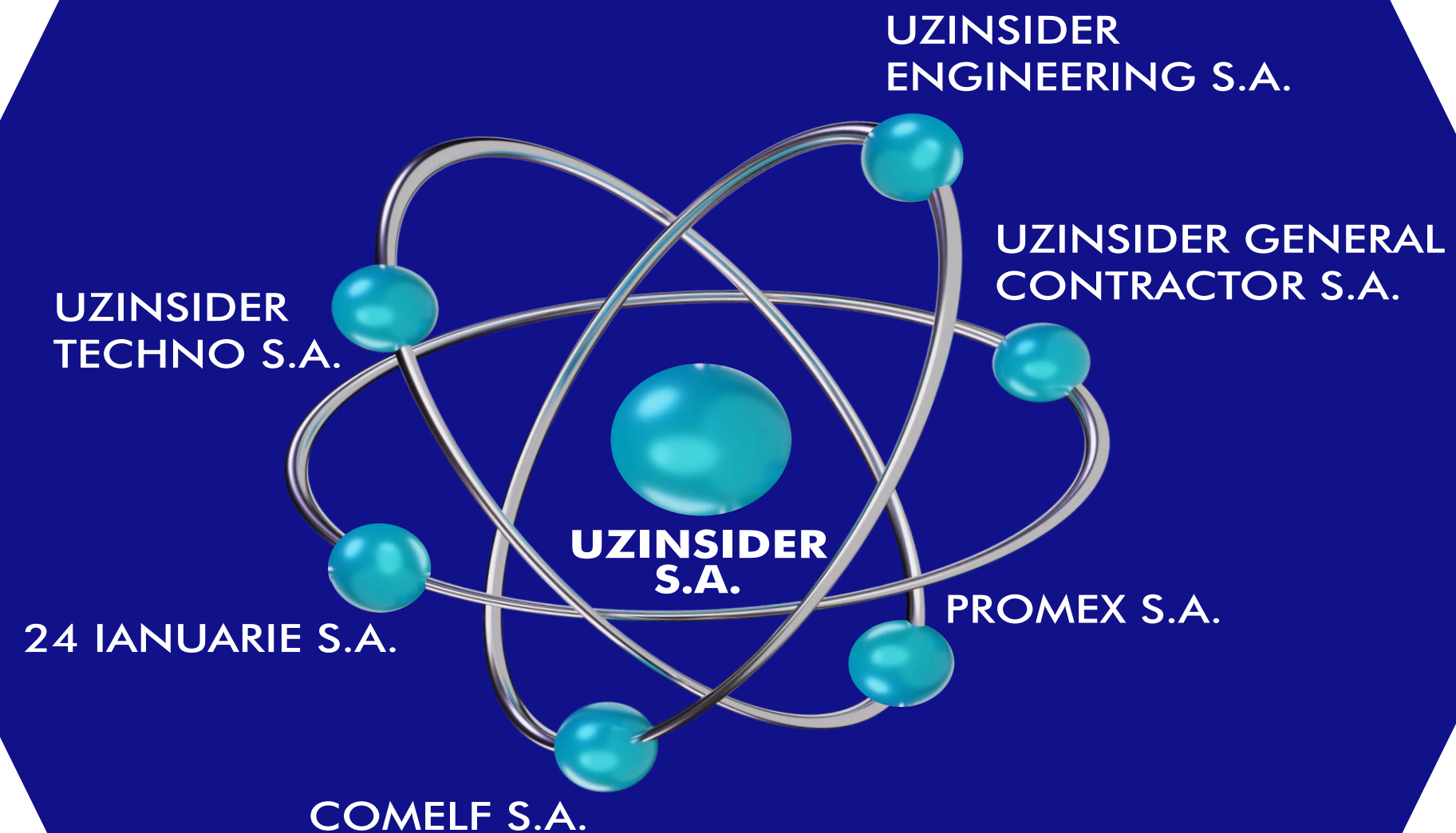
Dipl. eng. **SERBAN MARCELA**

Dipl. eng. **VISKI VASILE**

Dipl. eng. **CAMPIAN COSMIN**

Dipl. eng. **TATAR EUGEN**

ABOUT US



Since 1999, COMELF S.A. has been a privately owned company. The majority of shares are held by UZINSIDER S.A. Bucharest, making COMELF S.A. a member of the UZINSIDER GROUP, headquartered in Bucharest.

In addition to COMELF S.A., the UZINSIDER GROUP also includes two other production companies.

- 24 Ianuarie S.A. - Ploiesti
- Promex S.A. - Braila

One engineering company,
- Uzinsider Engineering - Galati

One contractor company,
- Uzinsider General Contractor S.A. - Bucharest

And one trade company,
- Uzinsider Techno S.A. - Bucharest

OUR MAIN HISTORY

1991

FOUNDED



The former "Technological Equipment" Company was transformed into what is now COMELF S.A.

1995

CERTIFICATION



The Quality Management System is certified according to ISO 9001 by TÜV Management Service.

1999

PRIVATISATION



The company was fully transitioned to private ownership with Romanian capital, with Uzinsider S.A. Bucharest as the majority shareholder.

2006

ENVIRONMENT



An Environmental Management System has been implemented, reflecting our strong commitment to protecting and caring for the environment.

2008

DEVELOPING



COMELF has entered a new phase of growth, focusing on expanding into new markets.

2017

NEW MARKET



COMELF has been authorized as an economic agent within the national defense industry.

ACTIVITIES



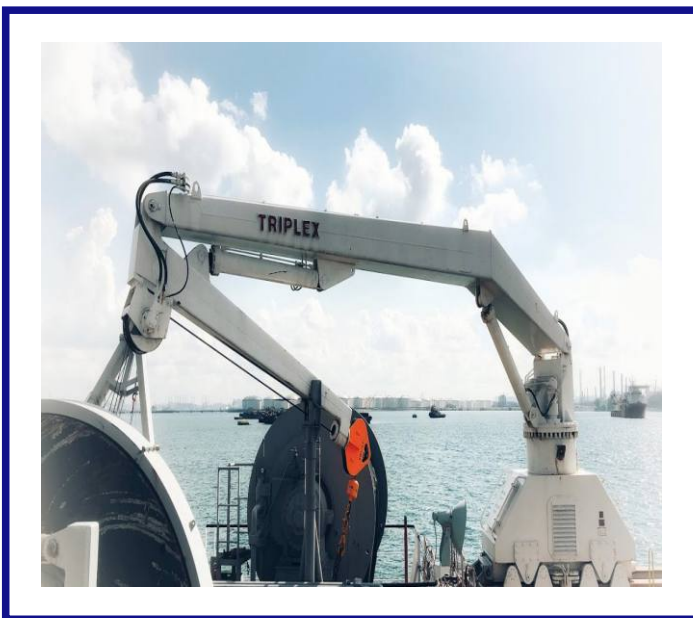
Earth moving machinery and parts



Railway equipment



Parts for Gas Turbines Co-generative Power Plants



Naval equipments



Hydro-Mechanical and Hydro-Energy Equipment



Pressure Parts

Earth moving machinery and parts

- Dimensions:
13.6 m x 2.75 m x 3.45 m
- Weight:
38 tones
- Total parts:
5000 pcs.



Earth moving machinery and parts



- ◆ Crushers
- ◆ Drilling machine
- ◆ Waste metal press
- ◆ Skid

Earth moving machinery and parts

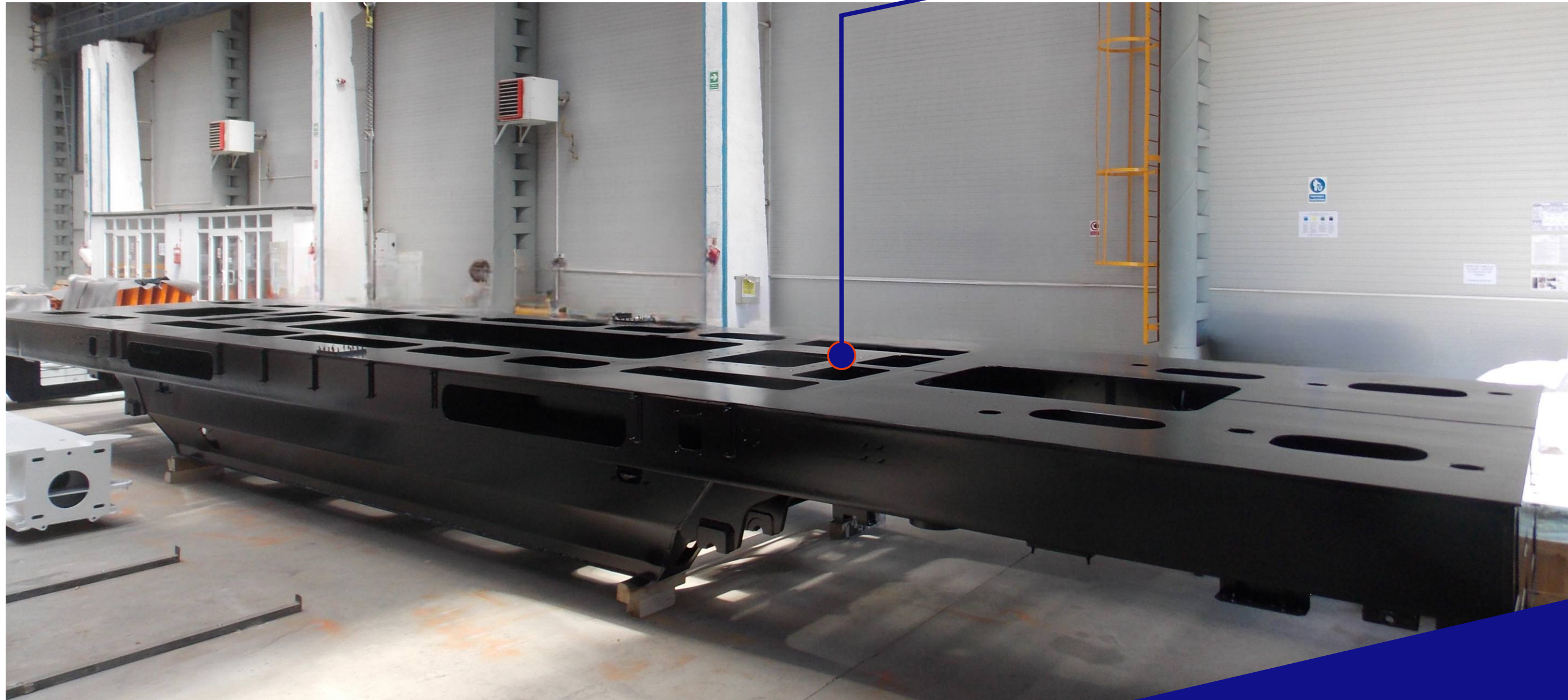


- ◆ Crushers
- ◆ Drilling machine
- ◆ Waste metal press
- ◆ Skid

Railway chassis

According to DIN EN 15085-2 CL1

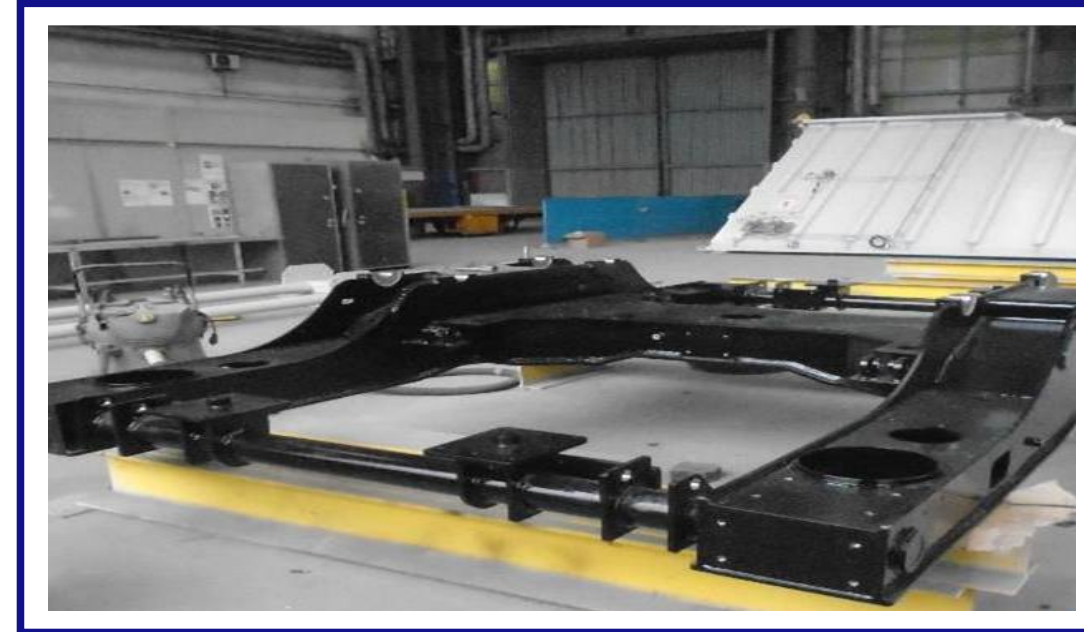
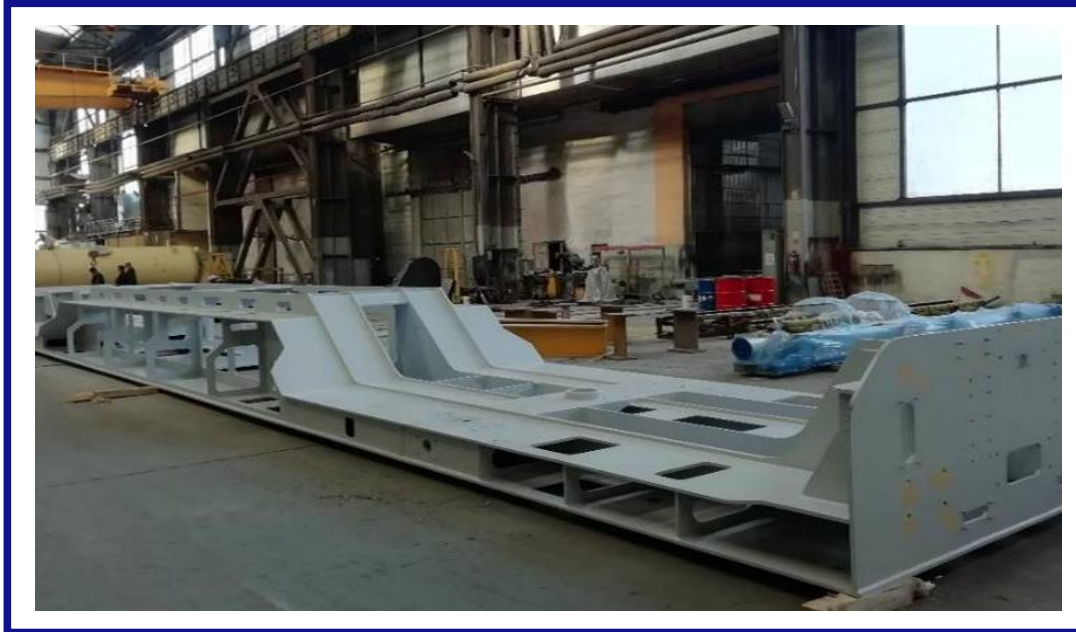
- Dimensions:
20.5 m x 2.8 m x 1.25 m
- Weight:
17.3 tones



- ▶ Chassis for railway locomotives used in the modernization and maintenance of rail infrastructure

Railway chassis

According to DIN EN 15085-2 CL1



▶ Chassis for the railway
Machine for modernization
and maintenance of railways

▶ Trolley Frame/
Telaio carrello

Railway chassis

According to DIN EN 15085-2 CL1



▶ Chassis for the railway
Machine for modernization
and maintenance of railways

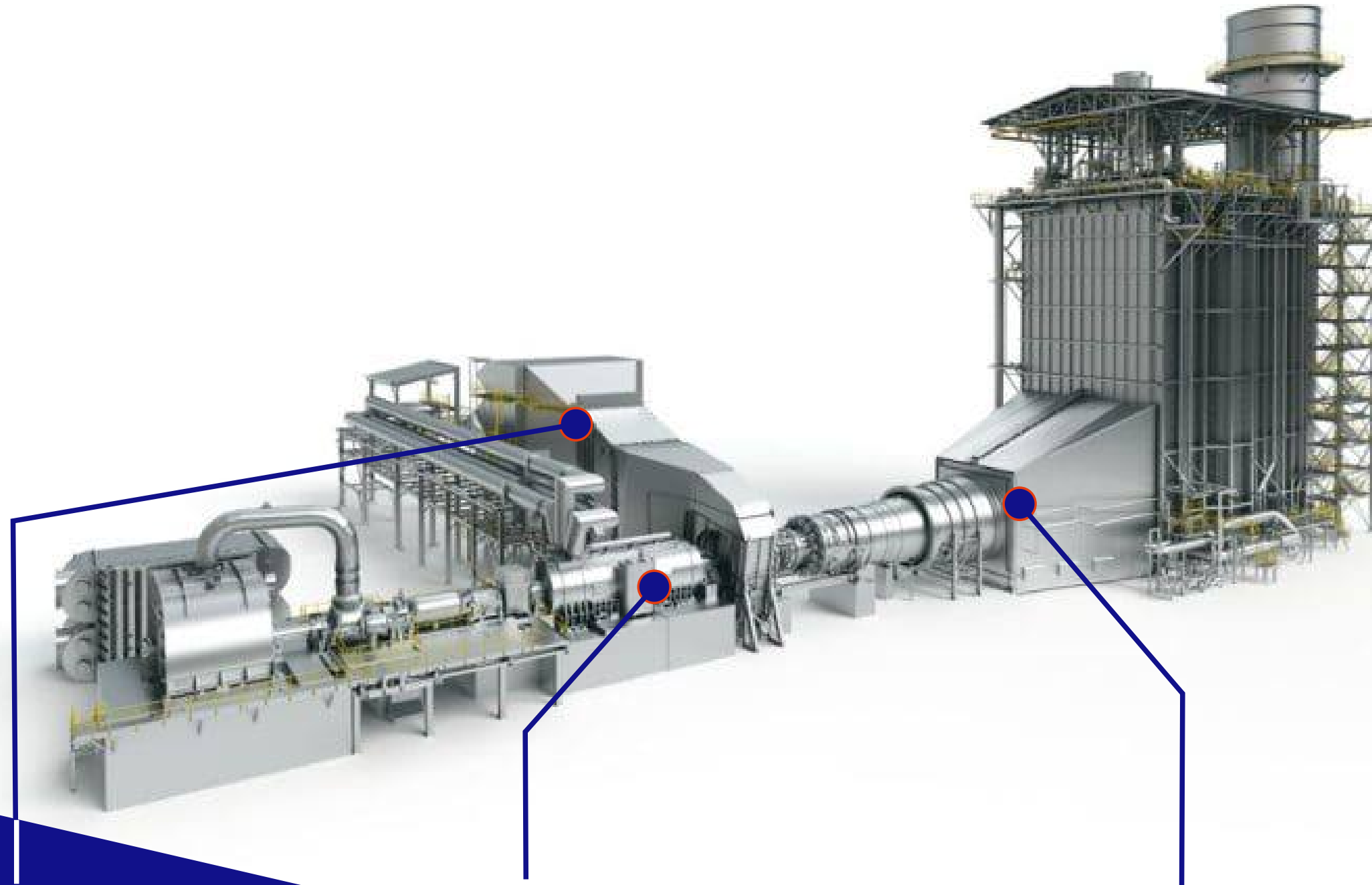
▶ Skid
▶ Wagons for grain

Stainless steel products



- Exhaust Collector
- Inlet Silencer
- Exhaust Plenum
- Air Filter Ducts

Parts for Gas Turbines Cogenerative Power Plants



- ▶ Air Inlet side:
 - Weather hoods
 - Air filters
 - Air inlet ducts
 - Inlet silencers
 - Air inlet manifold

- ▶ For turbine and generator:
 - Base frame
 - Acoustic enclosure
 - Cooler cover

- ▶ Exhaust side:
 - Exhaust diffuser
 - Exhaust ducts
 - Transition
 - Exhaust plenum
 - Exhaust silencers
 - Stack

Naval Equipments



- ▶ Parts for cranes
- ▶ Stern Roller
- ▶ Chain Lock

- ▶ Winches
- ▶ Pedestal

Naval Equipments



- ▶ Parts for cranes
- ▶ Stern Roller
- ▶ Chain Lock

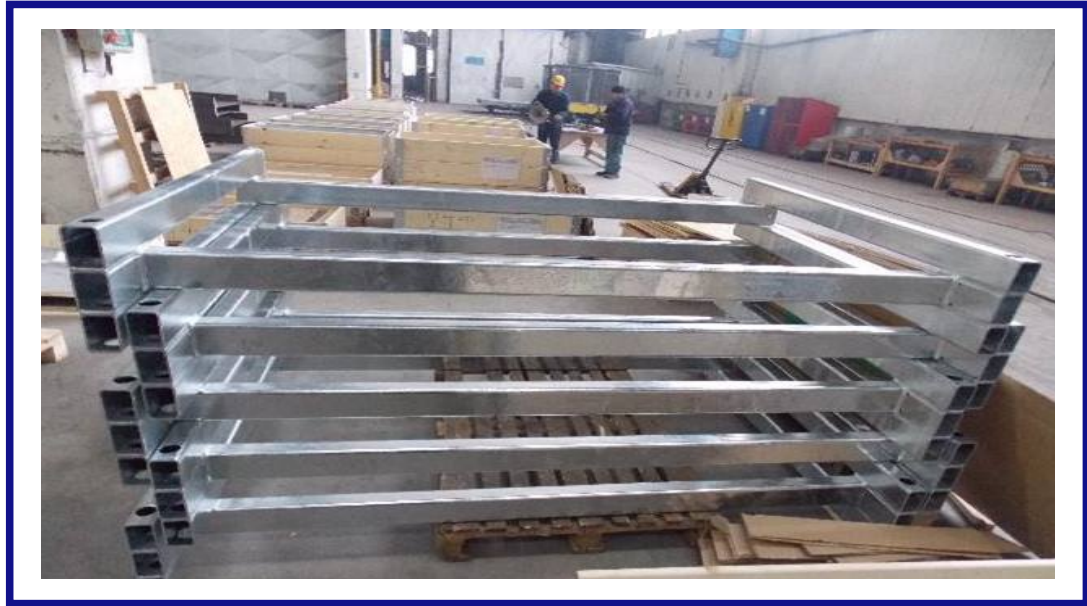
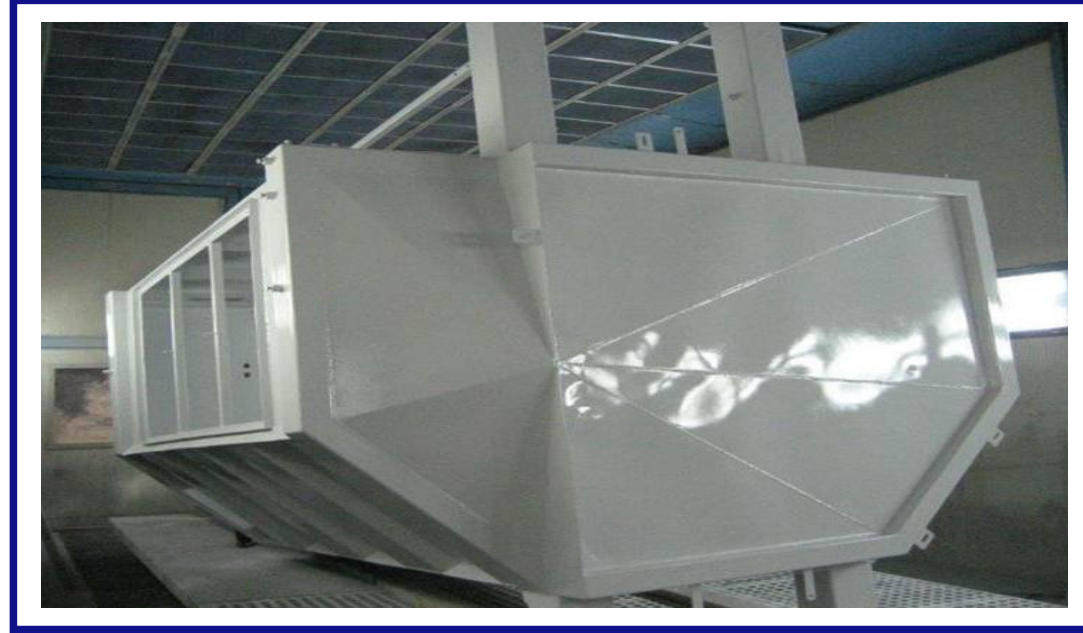
- ▶ Winches
- ▶ Pedestal

Hydro-Energy and Hydro-Mechanical Equipment



- ▶ Volute chamber
- ▶ Scrapers
- ▶ Mixers
- ▶ Aerators

Wind Power Plants



▶ Support Bar, Platforms

▶ Transformer container

Others



- ▶ Ducts
- ▶ Casing

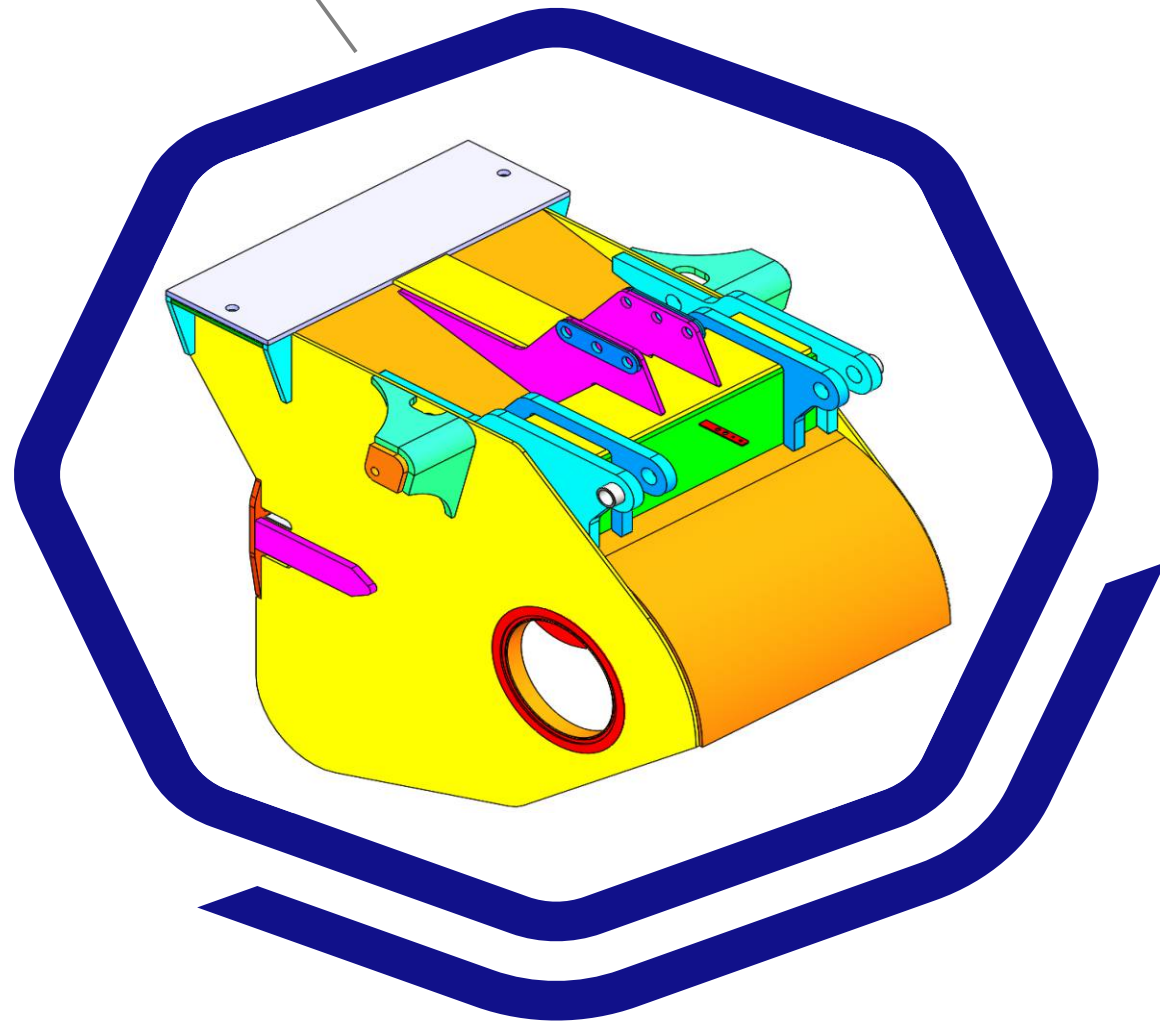
- ▶ Boilers
- ▶ Cooled ducts

ACTIVITIES

Engineering

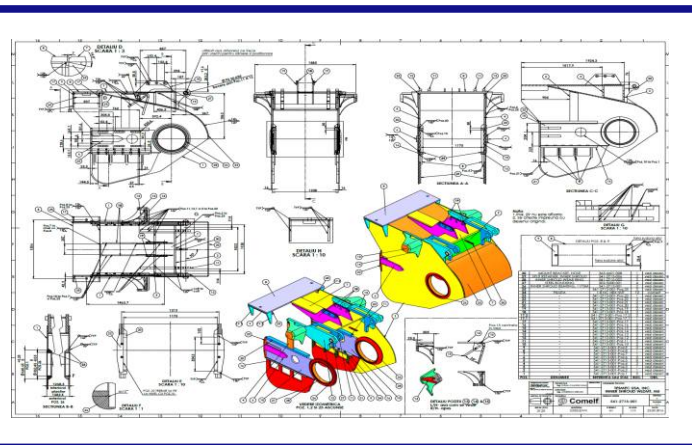
Non-Destructive Testing

Transport



Engineering

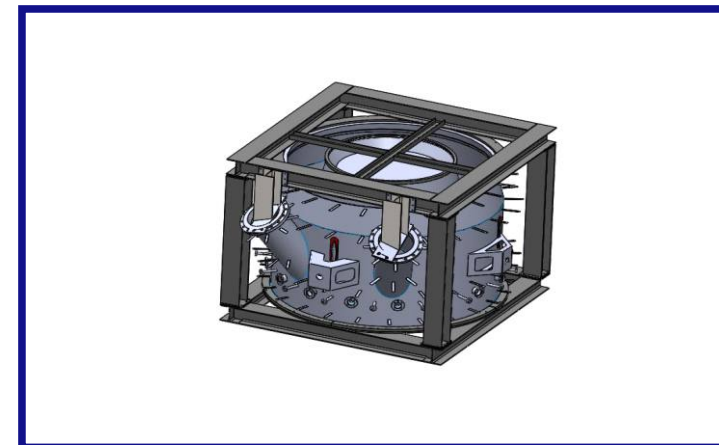
DRAFTING



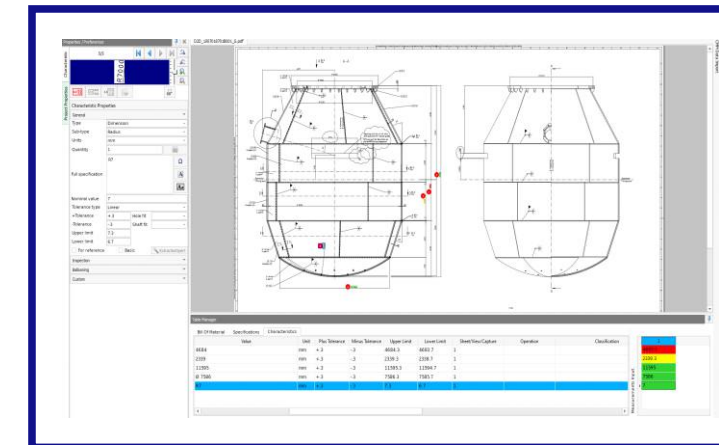
BOM

Part Number	Item No.	Qty	Description	material	Mass	Preview
P1060-PO	0	1				
440025406	1	3	Welding assembly		3.76	
440025405	1	1	Square tube	1.0037 S037-2	2.96	
440010657	2	1	Round tube	1.0037 S037-2	0.8	
440025407	2	3	Welding assembly		4.28	
440025400	1	1	Square tube	1.0037 S037-2	3.36	
440010657	2	1	Round tube	1.0037 S037-2	0.8	
440029726	3	1	Plate	1.0037 S037-2	0.02	
440029725	4	1	Round tube	1.0037 S037-2	0.1	
440029727	3	3	Safety pin	1.0037 S037-2	0.25	

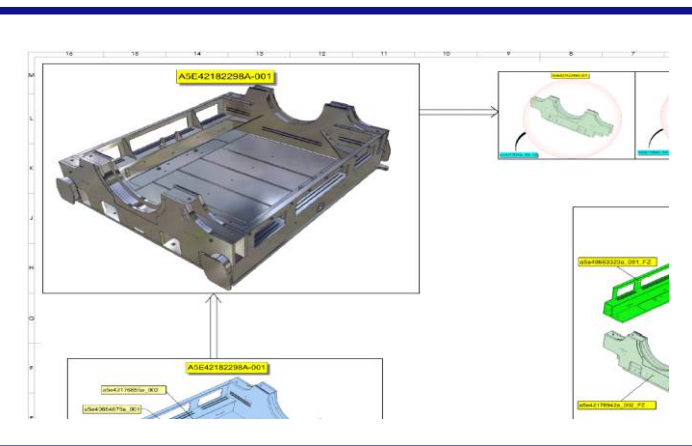
DEVICES



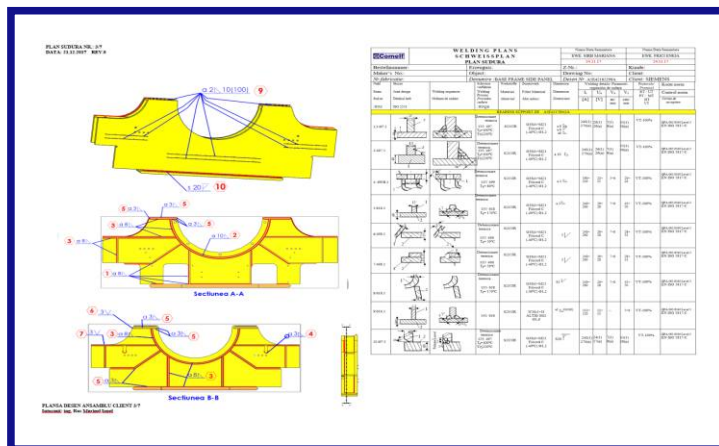
INSPECTION



COMPOSER



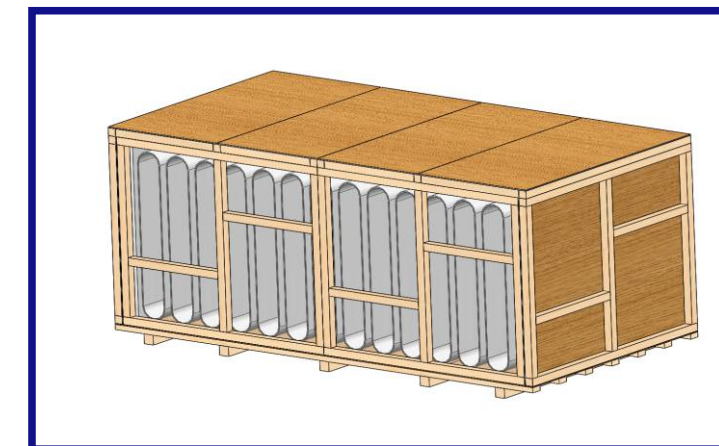
WELDING



PAINTING



PACKING



NON-DESTRUCTIVE TESTING FOR WELDS

Comelf provides non-destructive inspection services for welds, with a third-party company that has allocated spaces and dedicated certified staff according to EN ISO 9712:2013 level 2, within the Comelf premises.

The following types of controls can be ensured with specific equipment:

1. Radiographic Testing

The RX authorized space has a length $L=20$ m and a width $l = 8$ m.

The RX machine used is ERESKO MF4 G.E. , with a steel penetration of up to 42mm

2. Ultrasound

We perform it with the defectoscope KRAUTKRAMER USM 35 -G.E.

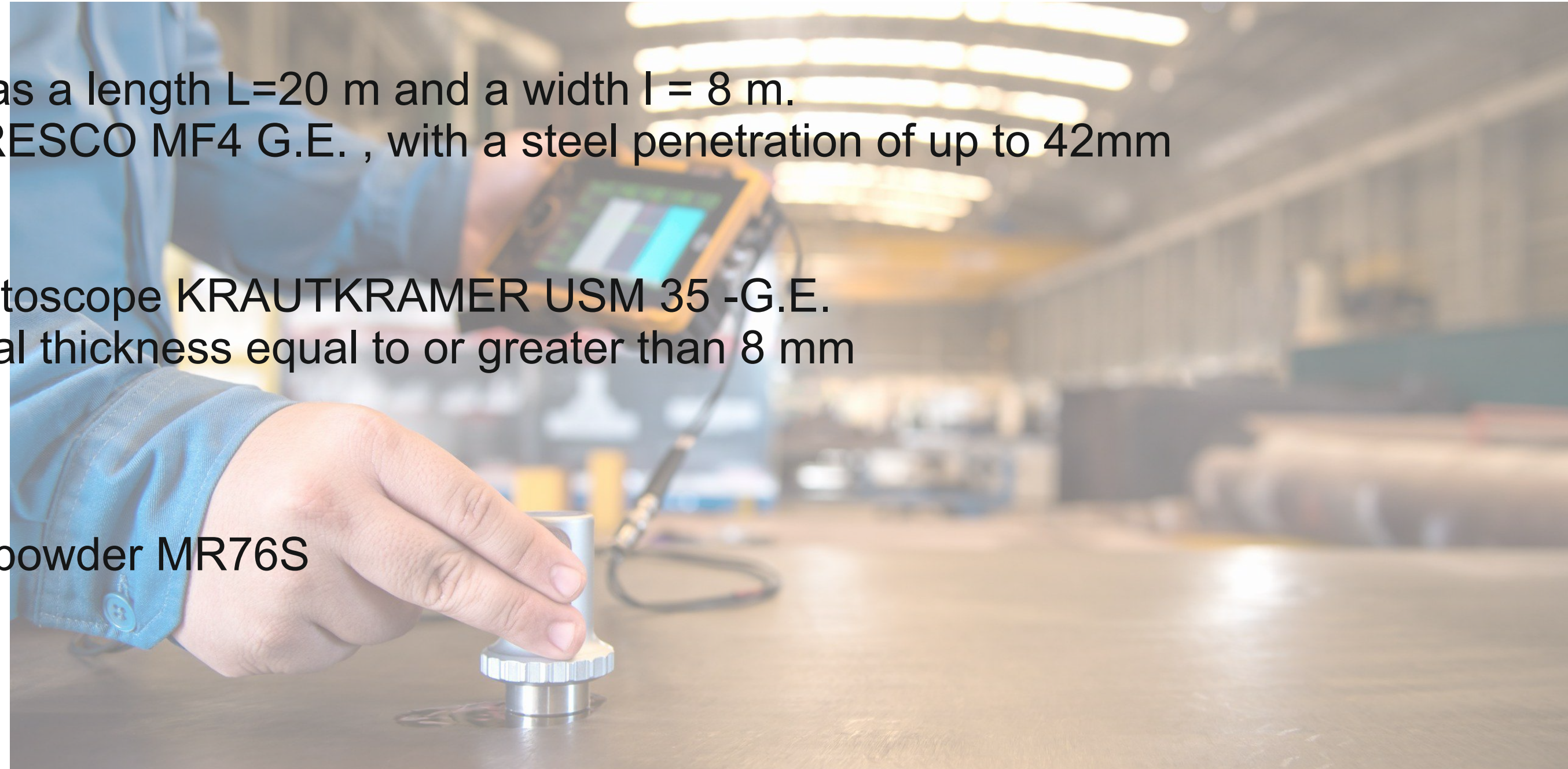
Ultrasonic control for material thickness equal to or greater than 8 mm

3. Magnetic Powders

Magnetic yoke: PARKER

MR72 color contrast; Black powder MR76S

4. Penetrating Liquids



TRANSPORT

Comelf can offer transport services to the customer through third-party companies, including oversized road transport.

Also within the company premises there is a railway connected to the national railway system.



TECHNICAL CAPABILITIES

CUTTING



COLD FLOW PROCESS



WELDING



MACHINING



HEAT TREATMENT



SURFACE PROTECTION



Cutting

- Cutting table: 25 m x 3 m
- Cutting Plasma: up to 45 mm
- Cutting Oxigas: up to 150 mm
- Beveling head for chamfers

- Fiber Laser 20 kW power
- Cutting table: 12 m x 3.5 m
- Cutting thickness: up to 40 mm
- Beveling head for chamfers



Cutting



- ▶ Laser
- ▶ Plasma
- ▶ Oxy
- ▶ Water jet
- ▶ Band saw

Laser: up to 6,0 kw: max. thk. 20 mm;

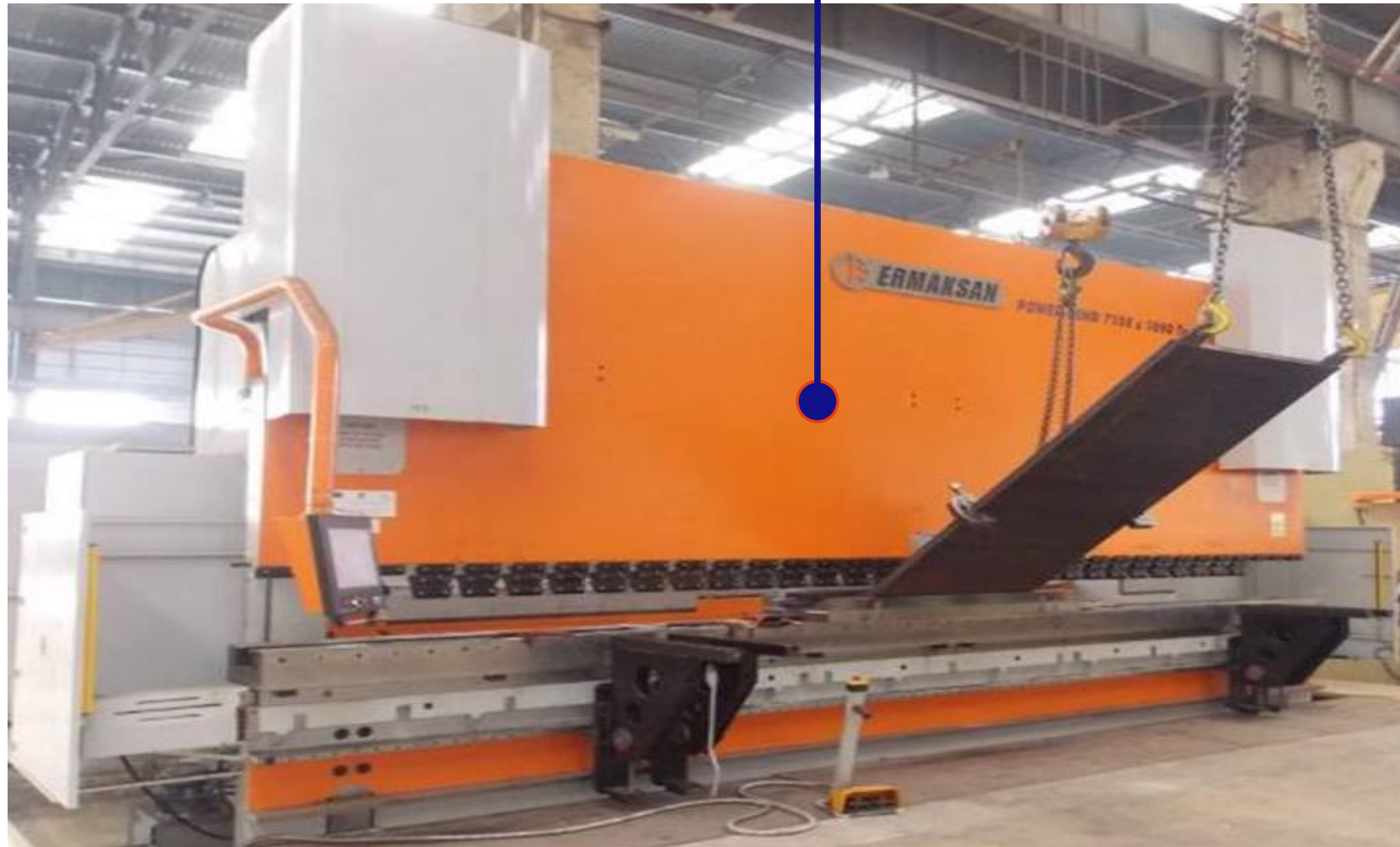
Plasma: up to 45 mm thickness
(with indexable head for chamfers);

Oxy: up to 150 mm thickness;

Waterjet: up to 150 mm thickness.

Cold Flow Process

Bending machine:
- 1000 tf
- L= 7100 mm



Rolling machine:
- steel plate up to
100 mm thk
- L= 3500 mm



Cold Flow Process



▶ Bending

▶ Rolling

Bending machine up to 1000tf; L = 7100 mm
Rolling machine up to 80 x 3500 mm plate

Welding



- ▶ Robot
- ▶ Welding Processes
- ▶ Laboratory

Welding robots: up to
12000x3000x2000 mm working area
Welding procedures:
111; 121; 131; 135; 136; 138; 141

Machining

CNC Carousel lathe machine:
- Working dimensions
X = 5000 mm
Y = 1700 mm



CNC Boring machine:
- Working dimensions
X = 18000 mm;
Y = 3800 mm;
Z = 900 mm
- Rotating table



Machining



- ◆ CNC Bohrwerk machines
- ◆ CNC Lathes
- ◆ CNC Milling machines
- ◆ CNC Carousel

Bohrwerk up to $x=18000$
Carousel up to 5000 diameter
CNC Milling machines

Heat Treatment



Stress relieving in modular heat treatment furnace:

- 6.5 x 6.5 x 3.6 meters

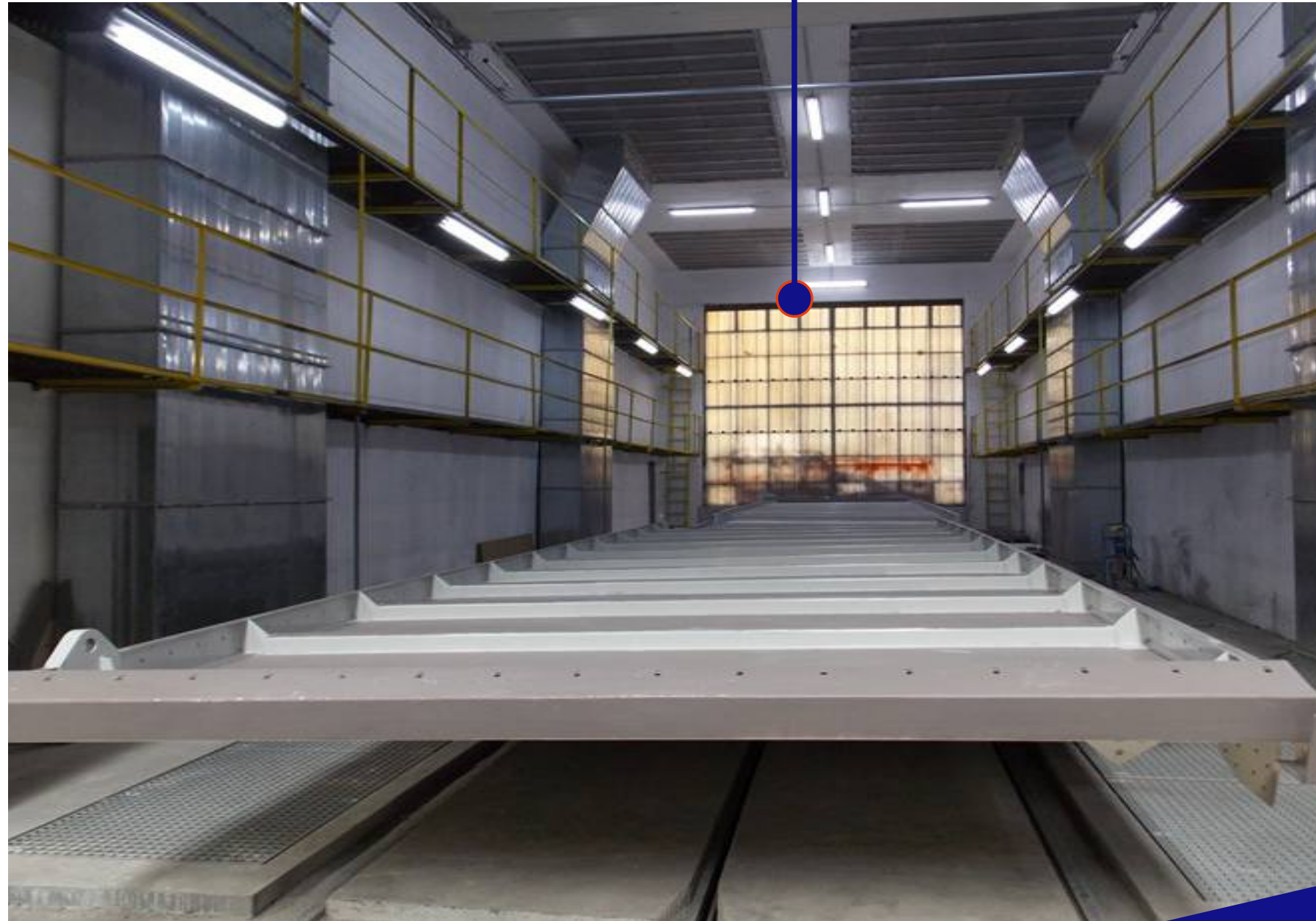
or

- 13 x 3.25 x 3.6 meters

▶ Stress relieving

Surface Protection

Painting booth with temperature and exhaust control:
- 22 x 6 x 6 meters



Surface Protection



- ▶ Sandblasting
- ▶ Painting

Sandblasting cabins
Painting cabine max. 6000x22000 mm
with full control

TECHNOLOGY FOR MEASURING DIMENSIONS AND SHAPES

Comelf have different types of technologically advanced equipments for dimensional and shape inspection.

We use following equipments for different necessities:

1. Tesa Unimaster Universal Measuring Instrument
to measure large internal and external dimensions



2. Faro EDGE Arm



3. Faro Laser Tracker Ion and Vantage

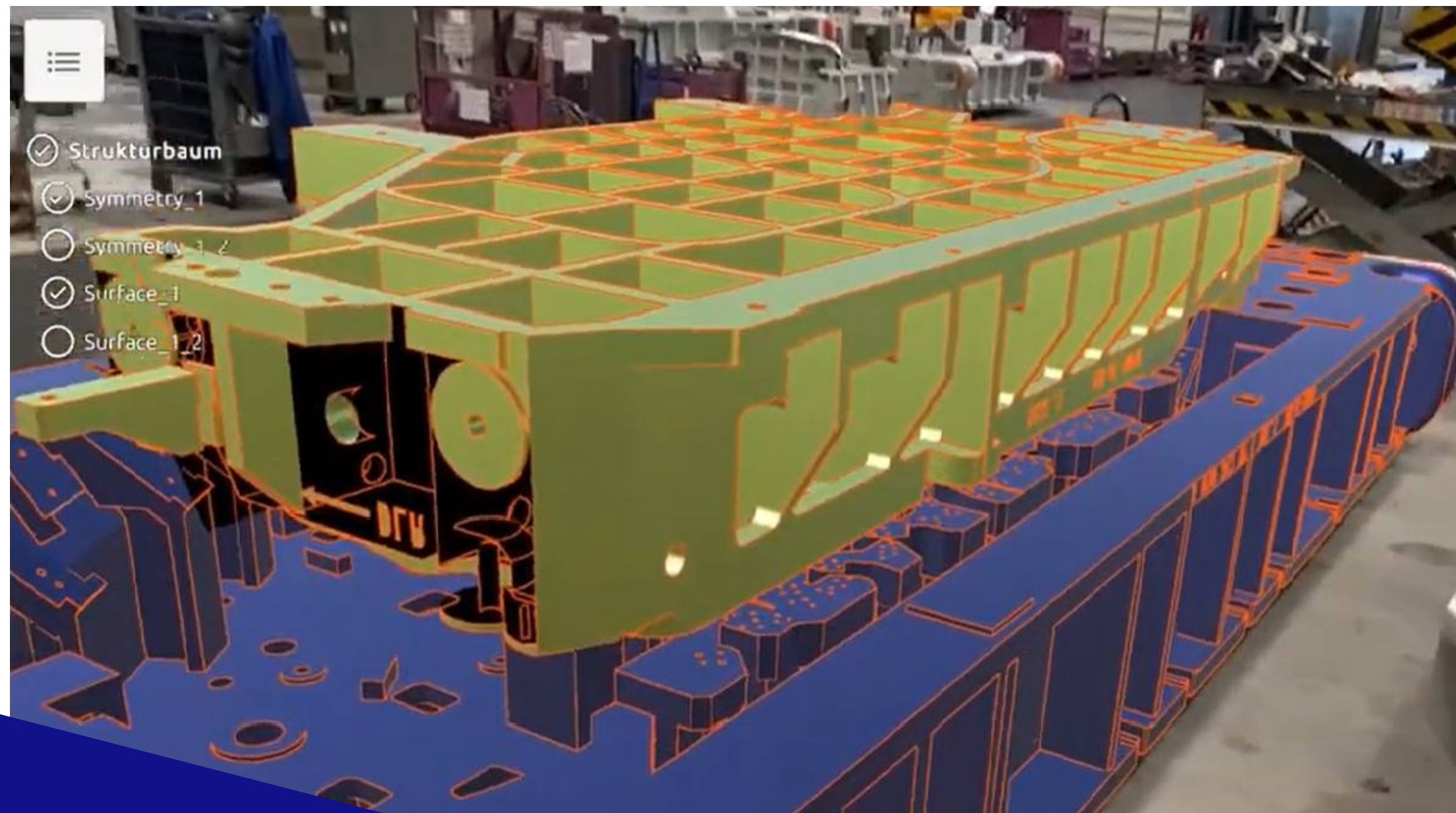


4. Scanner Faro Laser Line Probe



TECHNOLOGY FOR MEASURING DIMENSIONS AND SHAPES

SuPAR Augmented Reality Interactive Inspection



AUTHORIZATIONS AND CERTIFICATIONS

Certificate of implementation a **Quality, Environmental, Occupational Health and Safety Management System** issued by TÜV SUD Management Service Germany according to the **ISO 9001:2015; ISO 14001:2015; ISO 45001:2018** norms in the field of projecting, manufacturing, assembling, montage and service for equipment and components for gas turbine power plants, machines and installations, steel constructions, units for energetical and metallurgical industry, environmental protection, under pressure tanks, water treatment.

- TÜV SUD Industrie Service Munich- Germany **certificate conformity of the factory production control** with the standard **EN 1090-2 for steel structures**
EN 1090-3 for aluminium
- TÜV SUD Industrie Service Munich- Germany attest for **manufacturing of welded steel constructions** according to **DIN EN 3834-2**
- TÜV SUD Industrie Service Munich- Germany attest for **manufacturing of welded steel constructions** according to **DIN EN 15085-2 CL1**
- TÜV SUD Industrie Service Munich- Germany authorisation for **manufacturing tanks under pressure** according to technical prescriptions **AD 2000-Merkblatt HP 0, TRD 201 and EN ISO 3834-2** as defined in Pressure Equipment Directive 97/23/EC.
- OMCAS Military Certification Body
AQAP 2110 NATO Quality Assurance Requirement for Design, Development and Production



STANDARD



Management Service

CERTIFICATE

Certificate Registration No.: 12 100 5561 TMS / Order No.: 7170009144

The Certification Body
of TÜV SÜD Management Service GmbH

certifies that the organization



Comelf SA
Str. Industriei 4, 420063 Bistrita, Romania

for the scope

Engineering, manufacturing, assembly and service of equipment and components for: gas turbine power plants, wind power plants, solid fuel power plants, hydroelectric power plants; components for photovoltaic installations; installations for biomass power plants; industrial silencers; equipment for de-dusting of industrial gases; equipment and components for earth moving machinery; equipment and machinery for crushing; chassis for compression units; equipment and components for lifting; naval equipments and components; housing for electrical motors and generators, including accessories; under pressure vessels; equipment for waste water treatment; spare parts and components for railway vehicles; equipment for metallurgic and chemical industry; filter units for asphalt stations; welded steel structures; components for amusement ground machinery

has established and applies a Quality Management System.

An audit was performed and has furnished proof that the requirements according to

DIN EN ISO 9001:2015

are fulfilled.

The certificate is valid from 2025-05-03 until 2028-05-02.

Fred Wenke
Head of Certification Body
Munich, 2025-04-28



Management Service

CERTIFICATE

Certificate Registration No.: 12 104/117 5561 TMS / Order No.: 7170009144

The Certification Body
of TÜV SÜD Management Service GmbH

certifies that the organization



Comelf SA
Str. Industriei 4, 420063 Bistrita, Romania

for the scope

Engineering, manufacturing, assembly and service of equipment and components for: gas turbine power plants, wind power plants, solid fuel power plants, hydroelectric power plants; components for photovoltaic installations; installations for biomass power plants; industrial silencers; equipment for de-dusting of industrial gases; equipment and components for earth moving machinery; equipment and machinery for crushing; chassis for compression units; equipment and components for lifting; naval equipments and components; housing for electrical motors and generators, including accessories; under pressure vessels; equipment for waste water treatment; spare parts and components for railway vehicles; equipment for metallurgic and chemical industry; filter units for asphalt stations; welded steel structures; components for amusement ground machinery

has established and applies an Environmental, Occupational Health and Safety Management System.

Performance of audits has furnished proof that these management systems meet the requirements of the following standards:

DIN EN ISO 14001:2015
DIN ISO 45001:2018

The certificate is valid from 2025-04-28 until 2028-04-25.

Fred Wenke
Head of Certification Body
Munich, 2025-04-28



ZERTIFIKAT ◆ CERTIFICATE ◆ CERTIFICADO ◆ CERTIFICAT ◆ СЕРТИФИКАТ ◆ 認証証書 ◆ CERTIFICATE ◆ CERTIFICADO ◆ CERTIFICAT



Industrie Service

CERTIFICATE

TÜV SÜD-MUC-WD-3045307.2017.003

Manufacturer: **SC Comelf SA
Industriei 4
RO – 420063 Bistrita**

Plant(s): **Industriei 4
RO – 420063 Bistrita**

The above mentioned company fulfills the

**comprehensive quality requirements for fusion
welding of metallic materials**

according to

EN ISO 3834-2

Contract: 3841202

Valid until: June 30, 2026

Munich, July 10, 2023



EQ3045307



Certification Body
Material and Welding Technology

T. Sack
Toralf Sack

TÜV SÜD Industrie Service GmbH, Westendstr. 199, 80686 Munich, Germany



CERTIFICATE

Welding of railway vehicles and
components according to EN 15085-2:2020

TÜV SÜD/15085/CL1/249/09/5

TÜV SÜD Industrie Service GmbH hereby certifies that the welding company

**COMELF SA
Industriei 4
420063 Bistrita
Romania**

fulfills the requirements
for the scope according to

**EN 15085-2:2020 classification level CL1
in the type of activity P, M**

in the range indicated in the annex.

validity: 2024-04-05 until 2027-04-04

München, 2024-04-05
Place and date of issue

Lead auditor: Dipl.-Ing. SACK



EQ3130707



Certification Body
Material and Welding Technology

(Signature)
Dipl.-Ing. (FH) STANGL
Head of certification body

TÜV SÜD Industrie Service GmbH, Westendstr. 199, 80686 Munich, Germany



ROMANIA
MINISTERUL APĂRĂRII NAȚIONALE
Biroul Național de Codificare



CERTIFICAT

Nr. 2145

În baza Hotărârii de Guvern nr. 445/2003
pentru aprobarea

“Normelor privind organizarea și desfășurarea activității de
codificare a articolelor de înzestrare din domeniul apărării”,
se certifică alocarea “Codului NATO de agent economic”

NCAGE: **1GZ1L**

S.C. COMELF S.A.

pentru a fi utilizat în cadrul Sistemului de Codificare NATO.

DIRECTORUL BIROULUI NAȚIONAL DE CODIFICARE

L.S.

Responsabil Cod NCAGE

Data emiterii certificatului: 20.11.2017



ROMANIA
MINISTERUL APĂRĂRII NAȚIONALE
DEPARTAMENTUL PENTRU ARMAMENTE
OMCAS

Organismul Militar de Certificare, Acreditare și Supraveghere

CERTIFICAT

Nr. 30 / 2024

Prezentul document certifică faptul că:

S. COMELF S.A.

Str. Industriei nr.4 , Bistrița, jud. Bistrița-Năsăud

are implementat un sistem de management al calității în conformitate cu cerințele publicației alianței pentru asigurarea calității AQAP 2110 (Cerințe NATO referitoare la asigurarea calității în proiectare, dezvoltare și producție), aplicabil pentru:

- proiectare, execuție și service pentru echipamente terasiere, transportoare miniere, echipamente și utilaje de concasare mobile pe senile, componente și echipamente pentru vehicule feroviare și rutiere, componente pentru echipamente navale;
- carcase pentru motoare și generatoare electrice, șasiu pentru turbine și șasiu pentru unități de compresare a gazelor, vase sub presiune;
- echipamente complexe pentru industria metalurgică, structuri sudate și alte echipamente din domeniul construcțiilor de mașini.

has implemented a Quality Management System in accordance with requirements contained in Allied Quality Assurance Publication AQAP 2110 (NATO Quality Assurance Requirements for Design, Development and Production) applicable for:

- engineering, manufacturing, assembly and service for earth moving equipments, mining conveyors, mobile caterpillar equipments and machinery for crushing, equipments and components for railway and road vehicles, naval components/equipments;
- housing for electric motors and generators, chassis for turbines and for compression units, under pressure vessels;
- complex equipments for metallurgic industry, welded structures and other equipments in the field of machine building industry.

Data eliberării:

22.04.2024

Data expirării:

21.04.2026

Valabilitatea certificatului este în conformitate cu reglementările în vigoare ale Ministerului Apărării Naționale

ȘEFUL DIRECȚIEI GENERALE PENTRU ARMAMENTE

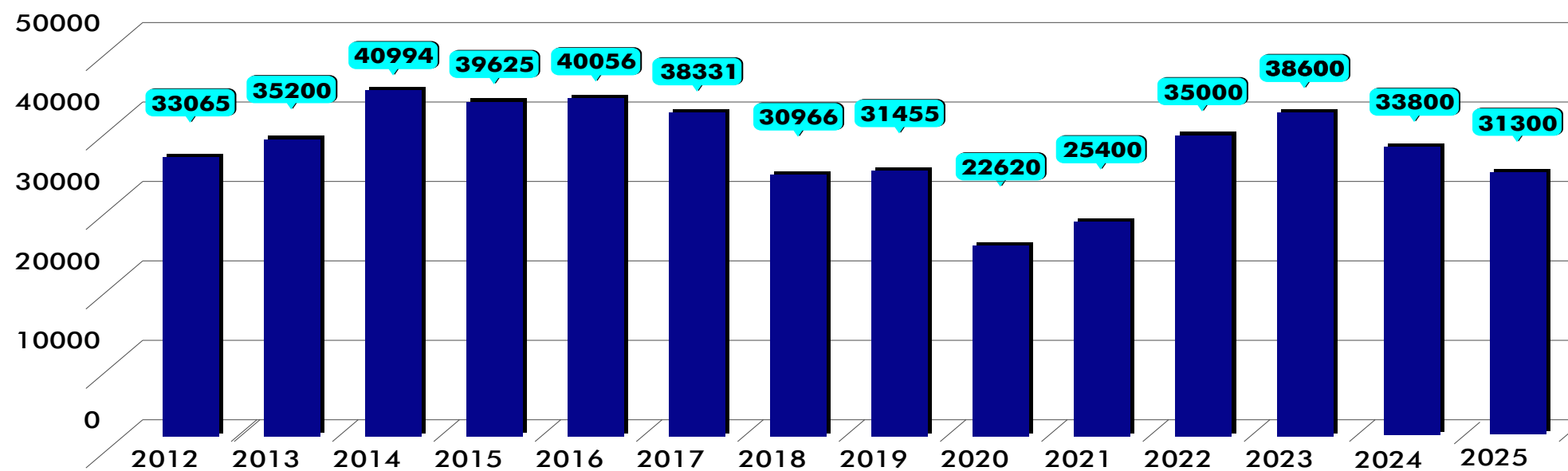
General – locotenent doctor inginer

Teodor INCICAȘ

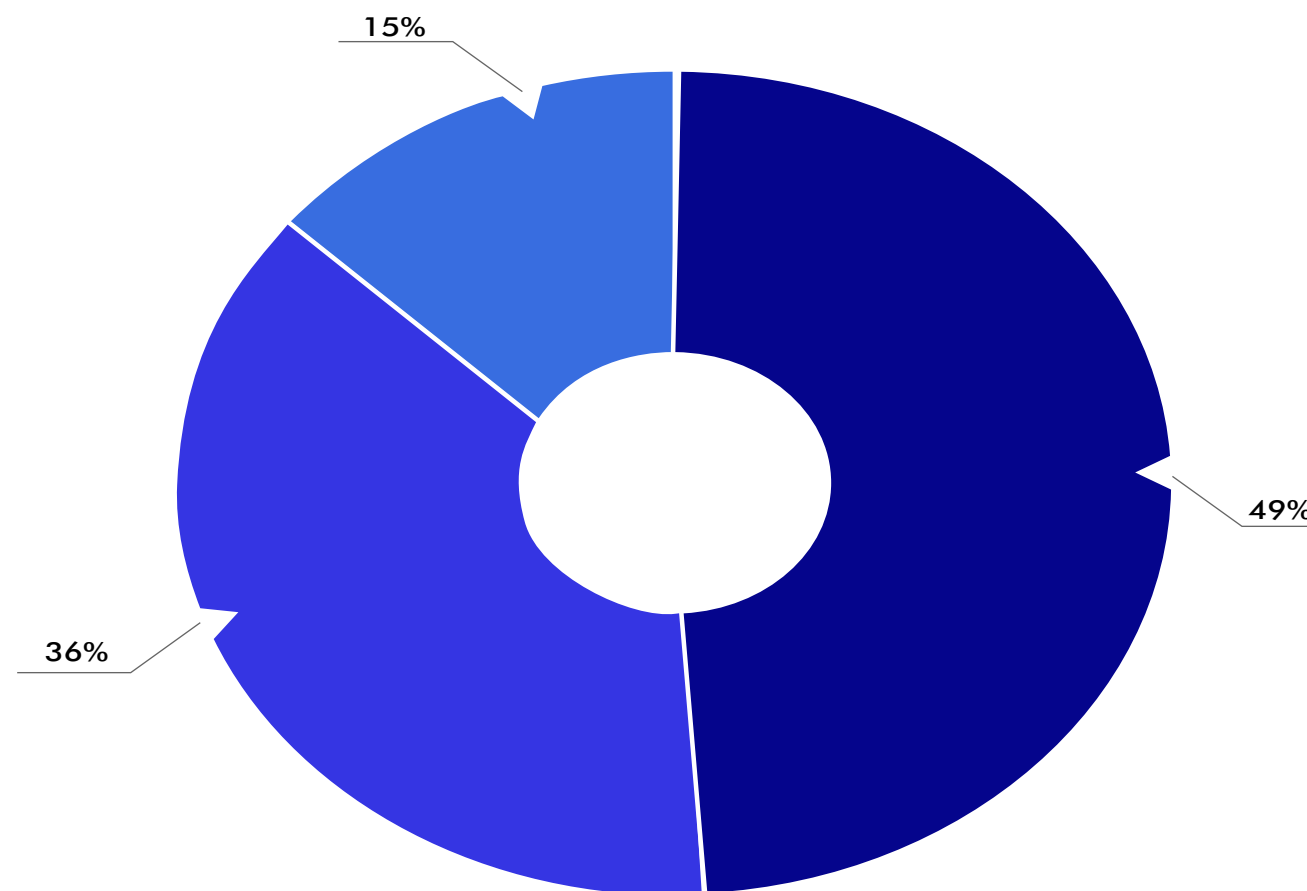


TURNOVER

Turnover (ths euro)



Comelf Market 2025



● power generating equipments - 49% ● earth moving equipment - 36% ● other - 15%

OUR MAIN CLIENTS



*General
Electric*

SIEMENS

KOMATSU

TESMEC



HD HYUNDAI
INFRACORE



TEREX[®]



Howden

MACGREGOR

STORM



ELIN
Motoren
A Voith Company



INVESTMENTS FOR ENERGY INDEPENDENCE

3MWp Photovoltaic pannels installed

In 2019, COMELF started important steps to move towards energy independence, considering the continuous increase in electricity costs, and to reduce the level of CO2 emissions.

In the same year was started the first project to install photovoltaic panels, with Norway Grants. Project name, "Investments in a smarter and more efficient future".

The end of the project was before June 2021.

The results of the project was:

- Solar panels capable of producing up to 990.00 kWp
- Estimated annual reductions in CO2 emissions (in tons of CO2 eq): 548.40 tons/year
- Electric energy produced from other renewable sources, including solar energy (in MWh/year): 1200 MWh/year

Shorty after the end of the first solar energy project, Comelf, with own financial resources, started a second and third project.

Second project of 1.5 MWp has ended in September 2022 and the third, of 0.5 Mwp, in spring of 2023. They had the following results:

- Estimated annual reductions in CO2 emissions (in tons of CO2 eq): 1100,0 tons/year
- Electric energy produced from other renewable sources, including solar energy (in MWh/year): 2430 MWh/year.



Comelf owns halls used for:

- ▶ University classes
- ▶ Conferences
- ▶ Symposium
- ▶ Sessions

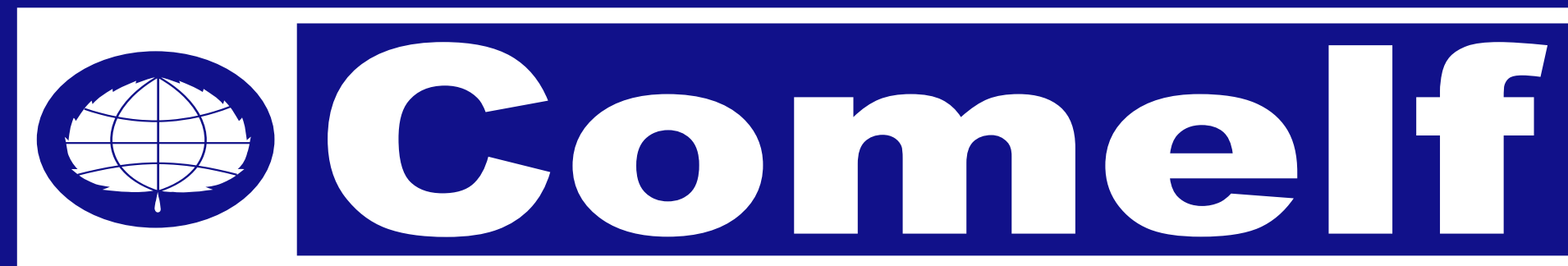
Welding School

Comelf has its own internal welding school and welding laboratory, used for welders and procedures qualification and for training welders on all types of welding procedures.



Soldamatic – Virtual Welding Simulator





Address:

Romania, Bistrita-Nasaud, Bistrita

Industriei Street, Number 4

E-mail: comelf@comelf.ro

Web: www.comelf.ro